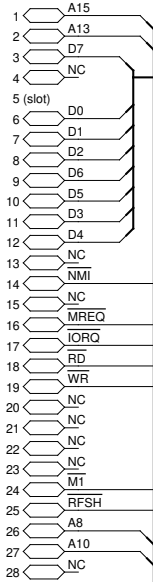


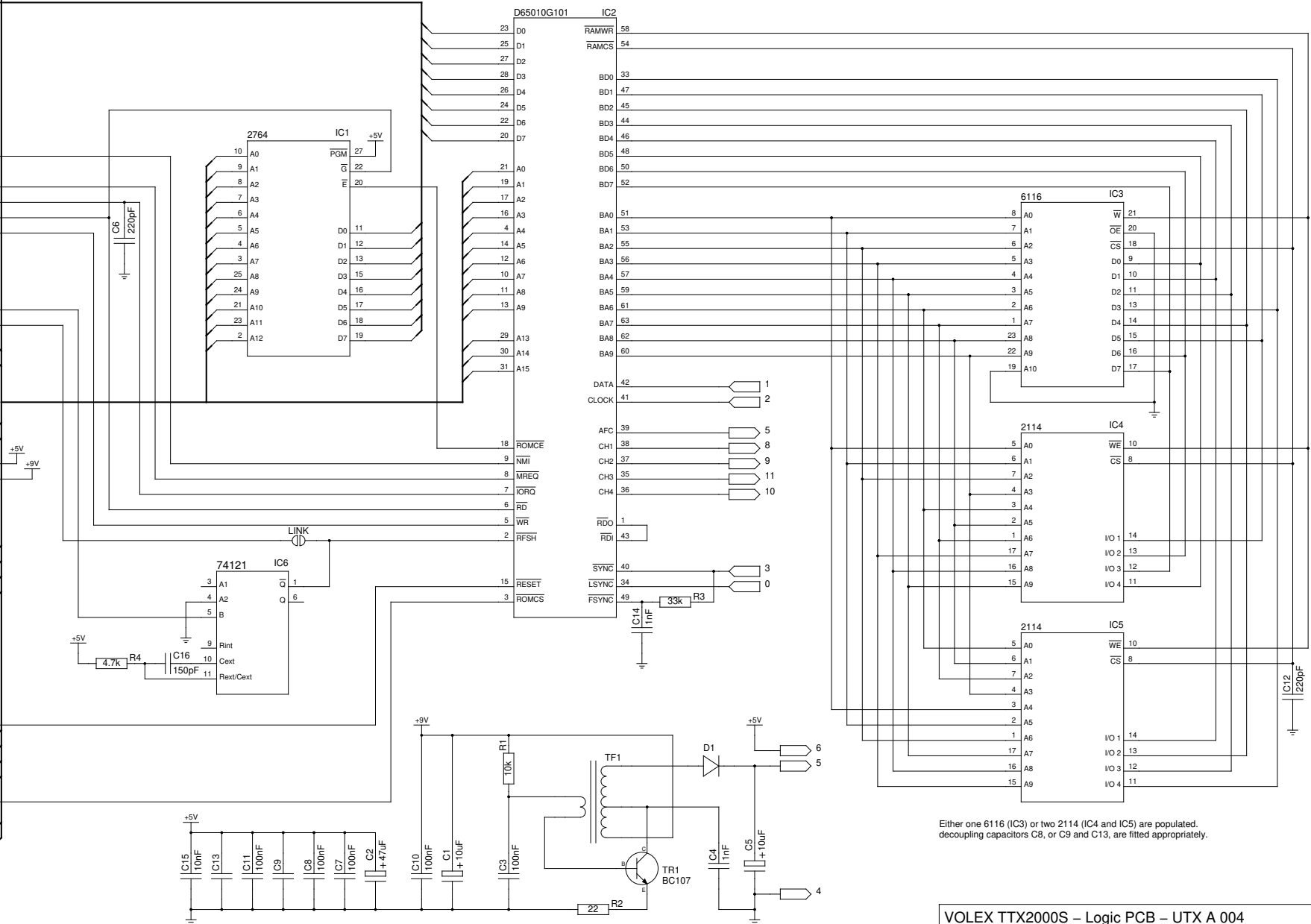
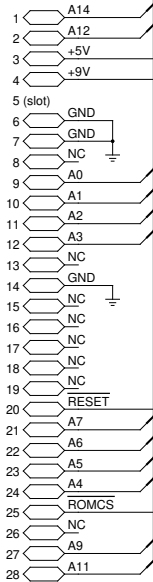
EXPANSION CONNECTOR

UPPER



EXPANSION CONNECTOR

LOWER



Either one 6116 (IC3) or two 2114 (IC4 and IC5) are populated. decoupling capacitors C8, or C9 and C13, are fitted appropriately.