

# ZX Spectrum +2A/+3 Schematic

Redrawn by Guesser  
 Revision 20 - 2020-01-23  
 SCHEMATIC FOR MOTHERBOARDS:  
 Z70830 ISSUE 1 †  
 Z70830 ISSUE 2

For +2A

- Delete:  
 C41, C42, C43, C44, C45, C46, C47  
 R77, R78, R79, R80, R81, R82, R83, R84, R85, R86  
 IC16, IC17, IC18, IC19, IC20  
 XL2  
 Internal Disc Drive Header  
 LED Header

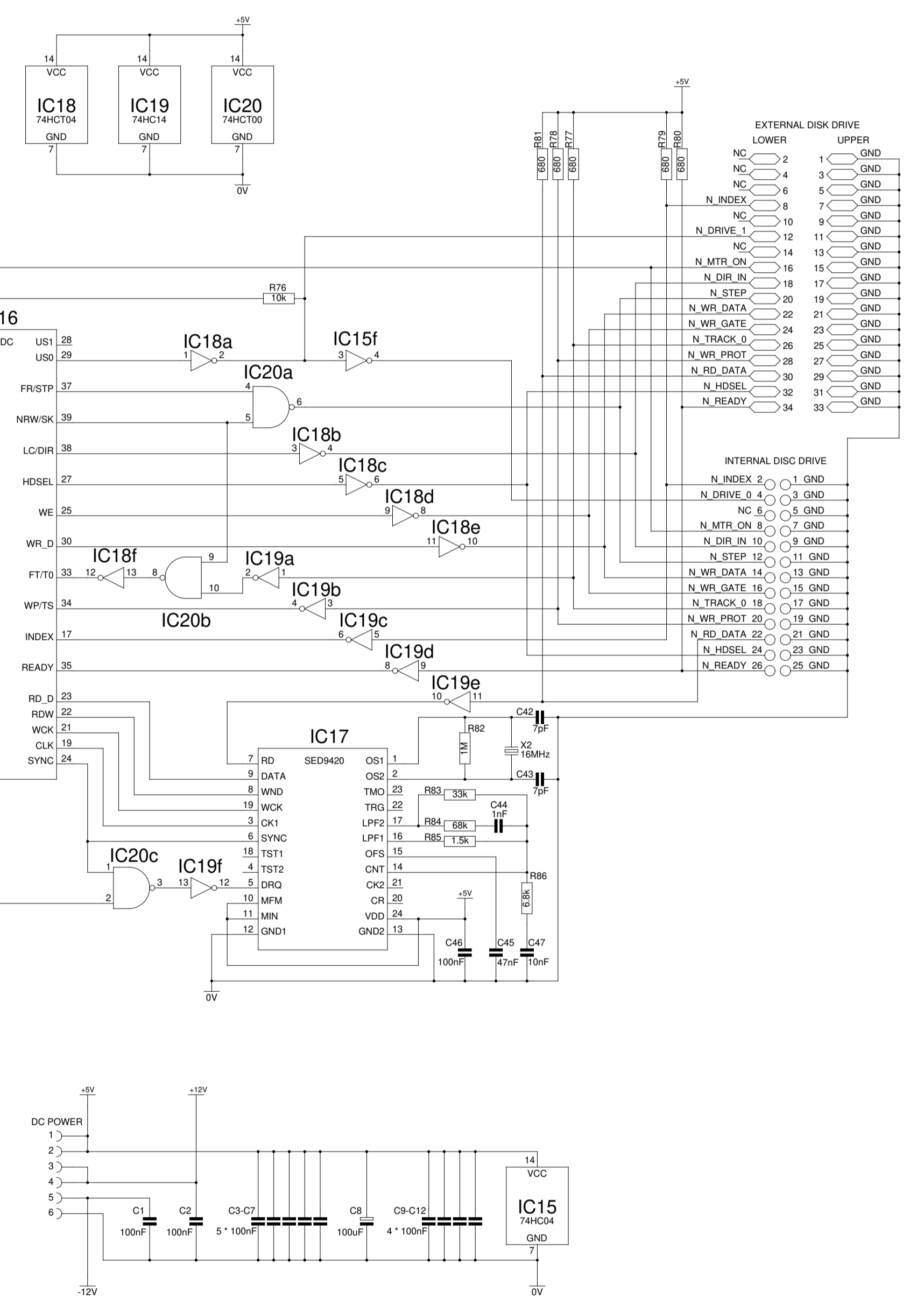
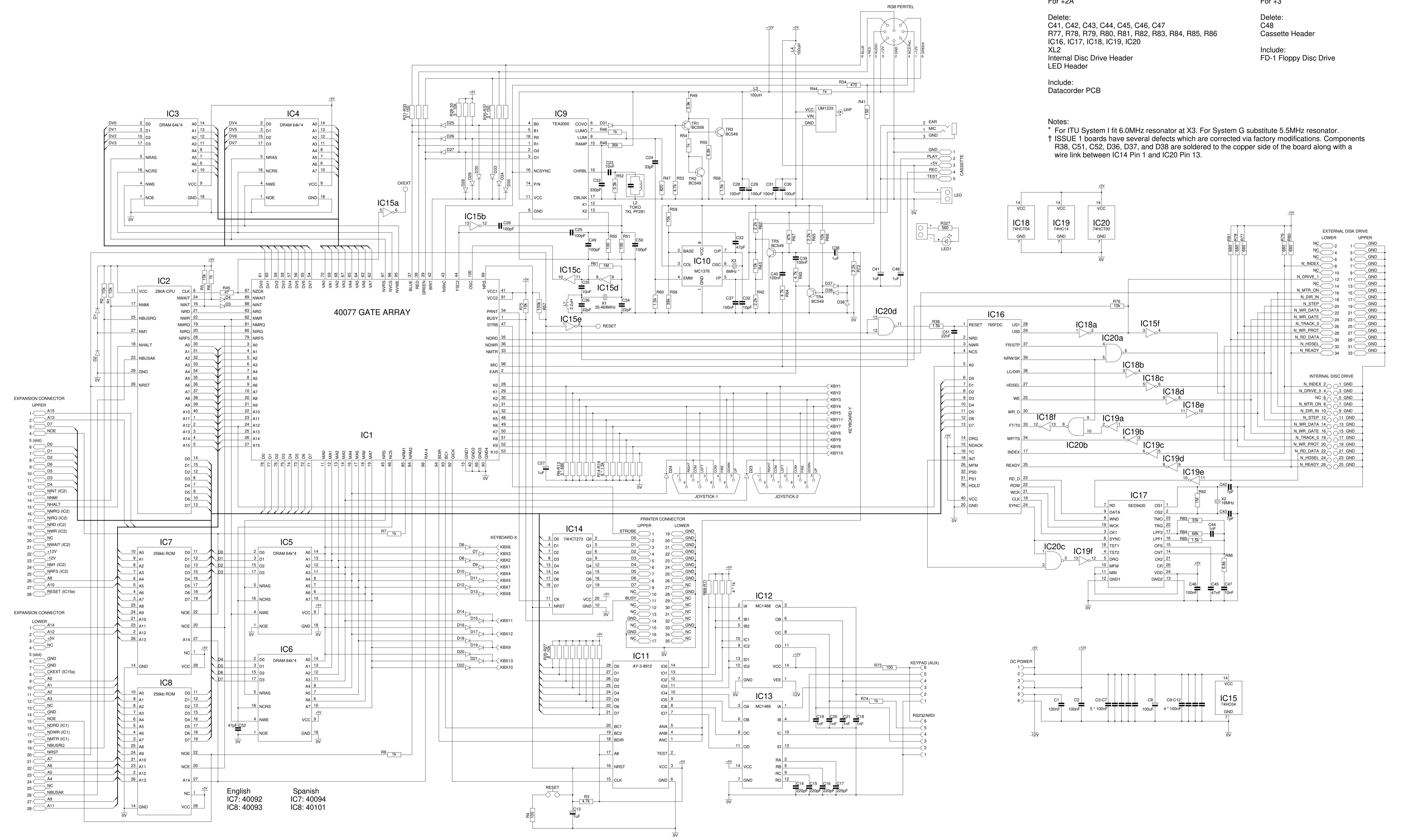
- Include:  
 Datacoder PCB

For +3

- Delete:  
 C48  
 Cassette Header
- Include:  
 FD-1 Floppy Disc Drive

Notes:

- \* For ITU System I fit 6.0MHz resonator at X3. For System G substitute 5.5MHz resonator.
- † ISSUE 1 boards have several defects which are corrected via factory modifications. Components R38, C51, C52, D36, D37, and D38 are soldered to the copper side of the board along with a wire link between IC14 Pin 1 and IC20 Pin 13.



English  
 IC7: 40092  
 IC8: 40093

Spanish  
 IC7: 40094  
 IC8: 40101